

<https://helda.helsinki.fi>

Accurate self-correction of errors in long reads using de Bruijn graphs

Salmela, Leena

2017-03-15

Salmela , L , Walve , R , Rivals , E & Ukkonen , E 2017 , ' Accurate self-correction of errors in long reads using de Bruijn graphs ' , Bioinformatics , vol. 33 , no. 6 , pp. 799-806 . <https://doi.org/10.1093/bioinform>

<http://hdl.handle.net/10138/182781>

<https://doi.org/10.1093/bioinformatics/btw321>

cc_by_nc

publishedVersion

Downloaded from Helda, University of Helsinki institutional repository.

This is an electronic reprint of the original article.

This reprint may differ from the original in pagination and typographic detail.

Please cite the original version.

Subject Section

Accurate selfcorrection of errors in long reads using de Bruijn graphs

Leena Salmela^{1,*}, Riku Walve¹, Eric Rivals² and Esko Ukkonen¹

¹Helsinki Institute for Information Technology HIIT, Department of Computer Science, University of Helsinki, Helsinki, Finland

²LIRMM and Institut de Biologie Computationnelle, CNRS and Université Montpellier, Montpellier, France

*To whom correspondence should be addressed.

Associate Editor: Prof. Cenk Sahinalp

Abstract

Motivation: New long read sequencing technologies, like PacBio SMRT and Oxford NanoPore, can produce sequencing reads up to 50,000 bp long but with an error rate of at least 15%. Reducing the error rate is necessary for subsequent utilisation of the reads in, e.g., *de novo* genome assembly. The error correction problem has been tackled either by aligning the long reads against each other or by a hybrid approach that uses the more accurate short reads produced by second generation sequencing technologies to correct the long reads.

Results: We present an error correction method that uses long reads only. The method consists of two phases: first we use an iterative alignment-free correction method based on de Bruijn graphs with increasing length of k -mers, and second, the corrected reads are further polished using long-distance dependencies that are found using multiple alignments. According to our experiments the proposed method is the most accurate one relying on long reads only for read sets with high coverage. Furthermore, when the coverage of the read set is at least 75x, the throughput of the new method is at least 20% higher.

Availability: LoRMA is freely available at <http://www.cs.helsinki.fi/u/lmsalmel/LoRMA/>.

Contact: leena.salmela@cs.helsinki.fi

1 Introduction

With the diminishing costs, high throughput DNA sequencing has become a commonplace technology in biological research. Whereas the second generation sequencers produced short but quite accurate reads, new technologies such as Pacific Biosciences and Oxford NanoPore are producing reads up to 50,000 bp long but with an error rate at least 15%. Although the long reads have proven to be very helpful in applications like genome assembly (Koren and Philippy, 2015; Madoui *et al.*, 2015), the error rate poses a challenge for the utilisation of this data.

Many methods have been developed for correcting short reads (Yang *et al.*, 2013; Laehnemann *et al.*, 2016) but these methods are not directly applicable to the long reads because of their much higher error rate. Moreover, most research of short read error correction has concentrated on mismatches, the dominant error type in Illumina data, whereas in

long reads indels are more common. Recently several methods for error correction of long reads have also been developed. These methods fall into two categories: either the highly erroneous long reads are selfcorrected by aligning them against each other, or a hybrid strategy is adopted in which the long reads are corrected using the accurate short reads that are assumed to be available. Most standalone error correction tools like proofread (Hackl *et al.*, 2014), LoRDEC (Salmela and Rivals, 2014), LSC (Au *et al.*, 2012), and Jabba (Miclote *et al.*, 2015) are hybrid methods. PBcR (Koren *et al.*, 2012; Berlin *et al.*, 2015) is a tool that can employ either the hybrid or selfcorrection strategy.

Most hybrid methods like PBcR, LSC, and proofread are based on the mapping approach. They first map the short reads on the long reads and then correct the long reads according to a consensus built on the mapped short reads. PBcR extends this strategy to selfcorrection of PacBio reads by computing overlaps between the long reads using probabilistic locality-sensitive hashing and then correcting the reads according to a consensus built on the overlapping reads. As the mapping of short reads is time and

1

© The Author(s) 2016. Published by Oxford University Press.

This is an Open Access article distributed under the terms of the Creative Commons Attribution Non-Commercial License (<http://creativecommons.org/licenses/by-nc/4.0/>), which permits non-commercial re-use, distribution, and reproduction in any medium, provided the original work is properly cited. For commercial re-use, please contact journals.permissions@oup.com

memory consuming, LoRDEC avoids the mapping phase by building a de Bruijn graph (DBG) of the short reads and then threading the long reads through this graph to correct them. Jabba is a recent tool that is also based on building a DBG of short reads. While LoRDEC finds matches of complete k -mers in the long reads, Jabba searches for maximal exact matches between the k -mers and the long reads allowing it to use a larger k in the DBG.

In this paper, we present a selfcorrection method for long reads that is based on de Bruijn graphs and multiple alignments. First our method performs initial correction that is similar to LoRDEC, but uses only long reads and performs iterative correction rounds with longer and longer k -mers. This phase considers only the local context of errors and hence it misses the long-distance dependency information available in the long reads. To capture such dependencies, the second phase of our method uses multiple alignments between carefully selected reads to further improve the error correction.

Our experiments show that our method is currently the most accurate one relying on long reads only. The error rate of the reads after our error correction is less than half of the error rate of reads corrected by PBcR using long reads only. Furthermore, when the coverage of the read set is at least 75x, the size of the corrected read set of our method is at least 20% higher than for PBcR.

2 Overview of LoRDEC

LoRDEC (Salmela and Rivals, 2014) is a hybrid method for the error correction of long reads. It presents the short reads in a de Bruijn graph (DBG) and then maps the long reads to the graph. The DBG of a read set is a graph whose nodes are all k -mers occurring in the reads and there is an edge between two nodes if the corresponding k -mers overlap by $k - 1$ bases. LoRDEC classifies the k -mers of long reads as *solid* if they are in the DBG and *weak* otherwise. The correction then proceeds by replacing the weak areas of the long reads by solid ones. This is done by searching paths in the DBG between solid k -mers to bridge the weak areas between them. If several paths are found, the path with the shortest edit distance as compared to the weak region is chosen to be the correct sequence, which replaces the weak region of the long read. The weak heads and tails of the long reads are the extreme regions of the reads that are bordered by just one solid k -mer in the beginning (resp. end) of the read. LoRDEC attempts to correct these regions by starting a path search from the solid k -mer and choosing a sequence that is as close as possible to the weak head or tail.

Repetitive regions of the genome can make the DBG tangled. The path search in these areas of the DBG can then become intractable. Therefore LoRDEC employs a limit on the number of branches it explores during the search. If this limit is exceeded, LoRDEC checks if at least one path within the maximum allowed error rate has been found and then uses the best path found for correction. If no such path has been found, LoRDEC starts a path search similar to the correction of the head and tail of the read, to attempt a partial correction of the weak region.

Some segments of the long reads remain erroneous after the correction. LoRDEC outputs bases in upper case if at least one of the k -mers containing that base is solid, i.e., it occurs in the DBG of the short reads, and in lower case otherwise. For most applications it is preferable to extract only the upper case regions of the sequences as the lower case bases are likely to contain errors.

3 Selfcorrection of long reads

In this section we will show how an error correction procedure similar to LoRDEC can be used to iteratively correct long reads without short read data. We will use LoRDEC* to refer to LoRDEC in this long reads

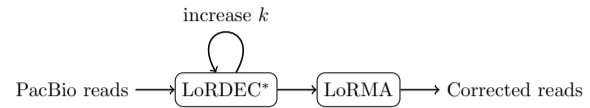


Fig. 1. Workflow of error correction. LoRDEC* is first applied iteratively to the read set, with an increasing k . The corrected reads are further corrected by LoRMA which uses multiple alignments to find long-distance dependencies in the reads.

only mode. Then we further describe a polishing method to improve the accuracy of correction. Figure 1 shows the workflow of our approach.

3.1 Iterative correction

To describe how LoRDEC can be adapted for selfcorrection of read sets, let Q be a set of long reads to be corrected, and let integer h be the *abundancy threshold* that is used in choosing the k -mers to the DBG. The correction procedure repeats for an increasing sequence $k = k_1, \dots, k_t$ the following steps 1–3:

1. Construct the DBG of set Q using as the nodes the k -mers that occur in Q at least h times;
2. Correct Q using the LoRDEC algorithm with this DBG;
3. Replace Q with the corrected Q .

After the final round, the regions of the reads identified as correct in the last iteration are extracted for further correction with the multiple alignment technique by LoRMA.

As the initial error level is assumed high, the above iterations have to start with a relatively small $k = k_1$. With a suitable abundancy threshold h , the DBG should then contain most of the correct k -mers (i.e., the k -mers of the target genome) and a few erroneous ones. Although path search over long weak regions may not be feasible because of strong branching of the DBG, shorter paths are likely to be found and hence, short weak regions can be corrected. After the first round the correct regions in the reads have become longer because close-by correct regions have been merged whenever a path between them has been found, and thus we can increase k . Then, with increasing k s, the DBG gets less tangled and the path search over the longer weak regions becomes feasible allowing for the correction of the complete reads. A similar iterative approach has previously been proposed for short read assembly (Peng *et al.*, 2010; Bankevich *et al.*, 2012).

When the path search is abandoned because of excessive branching, the original LoRDEC algorithm still uses the best path found so far to correct the region. Such a greedy strategy improves correction accuracy in a single run, but in the present iterative approach false corrections start to accumulate. Therefore, we make a correction only if it is guaranteed that the correction is the best one available in the DBG, i.e., all branches have been explored.

Abundancy threshold h controls the quality of the k -mers that are used for correction. In our experiments we used a fixed threshold of $h = 4$ in all iterations, meaning that the k -mers with less than 4 occurrences in the read set were considered erroneous.

To justify the value of h , we need to analyse how many times a fixed k -mer of the genome is expected to occur without any error in the reads. Then an h that is about one or two standard deviations below the expected value should give a DBG that contains the majority of the correct k -mers and not too many erroneous ones. We will use an analysis similar to Miclotte *et al.* (2015).

Let $C_{\ell \geq k}$ denote the coverage of a genomic k -mer by exact regions of length at least k . Here *exact region* refers to a continuous maximal error-free segment of some read in our read set. Figure 2 gives an example of

exact regions. Let us add a \$ character to the end of each read, and then consider the concatenation of all these reads. In this sequence an exact region (of length 0 or more) ends either at an error or when encountering the \$ character. Let n denote the number of reads, N the length of the concatenation of all reads, and p the error rate. Then the probability for an exact region to end at a given position of the concatenated sequence is $q = (pN + n)/(N + n)$. As the reads are long and the error rate is high, we have $q \approx p$. The length of the exact regions is distributed according to the geometric distribution $\text{Geom}(q)$ and therefore the probability of an exact region to have length i is $P(i) = (1 - q)^i q$. The expected number of exact regions is Nq . An exact region is *maximal* if it cannot be extended to the left or right. Let R_i be the random variable denoting the number of maximal exact regions of length i . Then $E(R_i) = NqP(i) = Nq^2(1 - q)^i$.

Let $C_{\ell=i}$ denote the coverage of a k -mer in the genome by maximal exact regions of length i , and let r_i denote the number of maximal exact regions of length i . An exact region of length i , $i \geq k$, covers a fixed genomic k -mer (i.e., the read with that exact region is read from the genomic segment containing that k -mer) if the region starts in the genome from the starting location of the k -mer or from some of the $i - k$ locations before it. Assuming that the reads are randomly sampled from the genome, this happens with probability $(i - k + 1)/G$, where G is the length of the genome. Therefore, $C_{\ell=i}$ is distributed according to the binomial distribution $\text{Bin}(r_i, (i - k + 1)/G)$ (independence of locations of exact regions is assumed), and the expected coverage of a genomic k -mer by maximal exact regions of length i is

$$\begin{aligned} E(C_{\ell=i}) &= \sum_{r_i=0}^{\infty} P(R_i = r_i) \cdot r_i \cdot \frac{i - k + 1}{G} \\ &= \frac{i - k + 1}{G} E(R_i) \\ &= \frac{N}{G} q^2 (1 - q)^i \cdot (i - k + 1). \end{aligned}$$

By the linearity of expectation the expected coverage of a genomic k -mer by exact regions of length at least k is

$$\begin{aligned} E(C_{\ell \geq k}) &= \sum_{i=k}^{\infty} E(C_{\ell=i}) \\ &= \frac{N}{G} \sum_{i=k}^{\infty} q^2 (1 - q)^i \cdot (i - k + 1). \end{aligned}$$

Because $(i - k + 1)/G$ is small, we can approximate the binomial distribution of $C_{\ell=i}$ with the Poisson distribution. Therefore $\sigma^2(C_{\ell=i}) = E(C_{\ell=i})$.

Assuming that the coverages of a genomic k -mer by maximal exact regions of different lengths are independent, the variance of the coverage by exact regions of length at least k is $\sigma^2(C_{\ell \geq k}) = \sum_{i \geq k} \sigma^2(C_{\ell=i}) = E(C_{\ell \geq k})$.

Figure 3 illustrates $E(C_{\ell \geq k})$ for various k and $q \approx p$, with 100x original coverage of the target. Note that original coverage of the target genome by the read set is N/G . For the three datasets in our experiments (see Table 1), with coverages 200x, 208x, and 129x, the expected coverage $E(C_{\ell \geq k})$ has values 9.12, 9.48, and 5.89, respectively, for our initial $k = 19$ and for our assumed error rate $p = 0.15$. Hence our adopted threshold $h = 4$ is from 0.8 to 1.8 standard deviations below the expected coverage meaning that most of the correct k -mers should be distinguishable from the erroneous ones.

3.2 Polishing with multiple alignments

The error correction performed by LoRDEC* does not make use of long range information contained in the reads. In particular, approximate repeats

CGC-CATAGACGTATCAG-CGATACCTTATA

Fig. 2. Division of a read into maximal exact regions, shown as boxed areas. The shaded boxes give the regions that could cover a 4-mer.

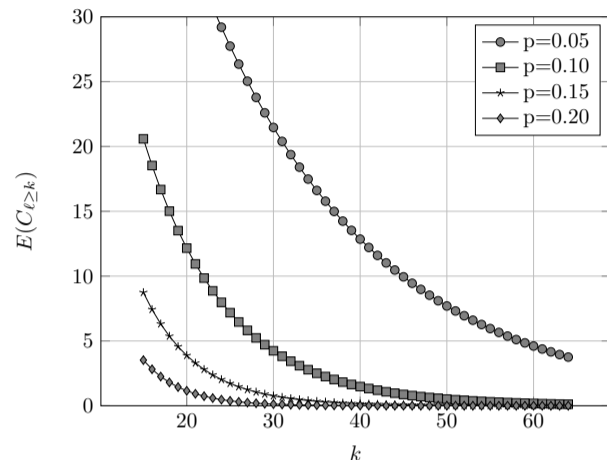


Fig. 3. Expected coverage of a genomic k -mer by exact regions of length at least k for a read set with coverage 100x for different error rates p .

of the target are collapsed in the DBG into a path with alternative branches. In practise such repeat regions are corrected towards a copy of the repeat but not necessarily towards the correct copy. However, the correct copy is more likely uncovered because we choose the path that minimises the edit distance between the weak region to be corrected and the sequence spelled out by the path. Therefore, if we have several reads from the same location, the majority of them are likely corrected towards the correct copy.

Our multiple alignment error correction exploits the long range similarity of reads by identifying the reads that are likely to originate from the same genomic location. If the reads contain a repeat area, the most abundant copy of the repeat present in the reads is likely the correct one. Then by aligning the reads with each other we can correct them towards this most abundant copy. The approach we use here bears some similarity to the method used in Coral (Salmela and Schröder, 2011).

As preprocessing phase for the method, we build a DBG of all the reads using abundance threshold $h = 1$ to ensure that all k -mers present in the reads are indexed. Then we enumerate the simple paths of the DBG and find for each read the unique path that spells it out. Each such path is composed of non-overlapping unitig segments that have no branches. We call such segments the parts of a path. We associate to each path segment (i.e., a unitig path of the DBG) a set of triples describing the reads traversing that segment. Each triple consists of read id, part id, and the direction of the read on this path. Hence the path for a read i consists of segments that have a triplet with i as the read id and with part id values 1, 2, ..., the path being composed of these segments in the order of the part id value (see Fig. 4). Using this information it is now possible to reconstruct each read from the DBG except that the reads will be prefixed (suffixed) by the complete simple path that starts (ends) the read.

In the second phase of our method we take the reads one by one and use the DBG to select reads that are similar to the current read. We follow the path for the current read and gather the set of reads sharing k -mers with it, which can be done using the triplets of the augmented DBG. Out of these reads we then first select each read R such that the shared k -mers span at least 80% of the shorter one of the read R and the current read.

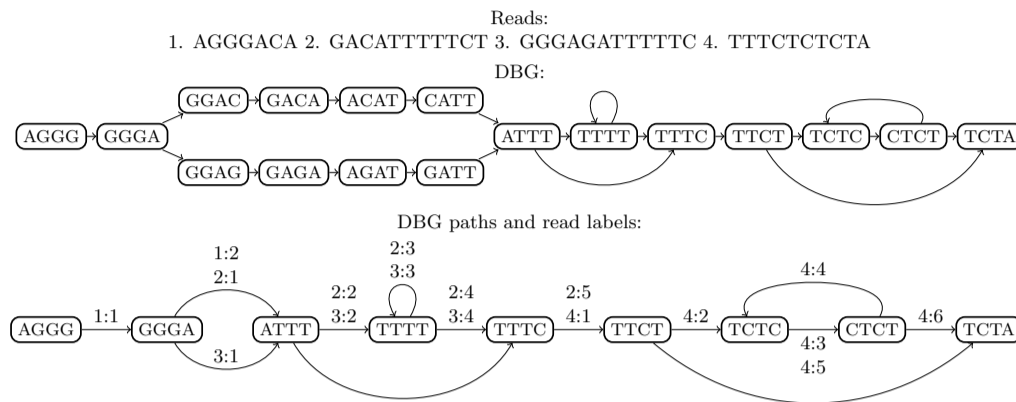


Fig. 4. Augmented DBG. For simplicity reverse complements are not considered. The lower graph only shows the branching nodes of the DBG and the labels on the paths/edges are of the form read id:read part id. For example, the path for read 2 consists of segments with labels 2:1, 2:2, 2:3, 2:4, and 2:5.

Furthermore, out of these reads we select those that share the most k -mers with the current read. We call this read set the *friends* of the current read. The number of selected reads is a parameter of our method (by default 7).

We then proceed to compute a multiple alignment of the current read and its friends. To keep the running time feasible, we use the same simple method as in Coral (Salmela and Schröder, 2011). First the current read is set to be the initial consensus. Then we take each friend of the current read one by one, align them against the current consensus using banded alignment, and finally update the consensus according to the alignment. Finally we inspect every column of the multiple alignment and correct the current read towards the consensus if the consensus is supported by at least two reads.

We implemented the above procedure in a tool called LoRMA (Long Read Multiple Alignments) using the GATB library (Drezen *et al.*, 2014) for the implementation of the DBG.

4 Experimental results

We ran experiments on three data sets that are detailed in Table 1. The simulated *E. coli* data set was generated with PBSIM (Ono *et al.*, 2013) using the following parameters: mean accuracy 85%, average read length 10,000, and minimum read length 1,000. The other two data sets are real data. Although our method works solely on the PacBio reads, the table also includes statistics of complementary Illumina reads that were used to compare our method against hybrid methods that need also short reads. All experiments were run on 32 GB RAM machines equipped with 8 cores.

4.1 Evaluation of the quality of error correction

In the simulated data set the genomic position where each read derives from is known. Therefore the quality of error correction on the simulated data set is evaluated by aligning the corrected read against the corresponding correct genomic sequence. We allow free deletions in the flanks of the corrected read because the tools trim regions they are not able to correct. To check if the corrected reads align to the correct genomic position, we aligned the corrected reads on the reference genome with BLASR (Chaisson and Tesler, 2012) keeping only a single best alignment for each read. The following statistics were computed:

- **Size:** The relative size of the corrected read set as compared to the original one.
- **Error rate:** The number of substitutions, insertions and deletions divided by the length of the correct genomic sequence.

- **Correctly aligned:** The relative number of reads that align to the same genomic position where the read derives from.

To evaluate the quality of error correction on the real data sets, we used BLASR (Chaisson and Tesler, 2012) to align the original and corrected reads on the reference genome. For each read we used only a single best alignment because a correct read should only have one continuous alignment against the reference. Thus chimeric reads will be only partially aligned. We computed the following statistics:

- **Size:** The relative size of the corrected read set as compared to the original one.
- **Aligned:** The relative size of the aligned regions as compared to the complete read set.
- **Error rate:** The number of substitutions, insertions and deletions in the aligned regions divided by the length of the aligned regions in the reference sequence.
- **Genome coverage:** The proportion of the genome covered by the aligned regions of the reads.

Together these statistics measure three aspects of the quality of error correction. Size measures the throughput of the method. Aligned and error rate together measure the accuracy of correction. Finally genome coverage estimates if reads deriving from all regions of the genome are corrected.

4.2 Parameters of our method

We ran experiments on the real *E. coli* data set to test the effect of parameters on the performance of our method. First we tried several progressions of k in the first phase where LorDEC* is run iteratively. We started all iterations with $k = 19$ because given the high error rate of the data k must be small for correct k -mers to occur in the read data. The results of these experiments are presented in Table 2. With more iterations the size of the corrected read set and the aligned proportion of reads decrease, but the aligned regions are more accurate. The decrease in the size of the corrected read set may be a result of better correction because PacBio reads have more insertions than deletions. However, the decrease in the aligned proportion of the reads may indicate some accumulation of false corrections. The runtime of the method increases with the number of iterations but later iterations take less time as the reads have already been partially corrected during the previous rounds. To balance out these effects, we chose to use a moderate number of iterations, i.e. $k = 19, 40, 61$, by default which also optimises the error rate of the aligned regions.

Table 1. Data sets used in the experiments

	<i>E. coli</i> (simulated)	<i>E. coli</i>	Yeast
Reference organism			
Name	<i>Escherichia coli</i>	<i>Escherichia coli</i>	<i>Saccharomyces cerevisiae</i>
Strain	K-12 substr. MG1655	K-12 substr. MG1655	W303
Reference sequence	NC_000913	NC_000913	CM001806-CM001823
Genome size	4.6 Mbp	4.6 Mbp	12 Mbp
PacBio data			
Number of reads	92818	89481	261964
Avg. read length	9997	10779	5891
Coverage	200x	208x	129x
Illumina data			
Accession number	-	ERR022075	SRR567755
Number of reads	-	2316613	4503422
Read length	-	100	100
Coverage	-	50x	38x

Table 2. The progression of k for the iterations of LoRDEC*

k progression	Size (%)	Aligned (%)	Error rate (%)	Elapsed time (h)
19	64.901	99.499	0.294	4.08
19,22,25,28,31	66.702	99.302	0.276	12.97
19,22,25,28,31,34,37,40,43,46	66.630	99.311	0.274	20.65
19,22,25,28,31,34,37,40,43,46,49,52,55,58,61	66.546	99.296	0.271	27.53
19,26,33	66.401	99.329	0.274	9.58
19,26,33,40,47	66.230	99.298	0.271	13.07
19,26,33,40,47,54,61	66.144	99.283	0.266	16.08
19,33	66.705	99.358	0.277	7.68
19,33,47	66.178	99.352	0.268	10.58
19,33,47,61	65.991	99.301	0.261	11.92
19,40	66.619	99.360	0.272	8.32
19,40,61	66.223	99.317	0.257	10.30

Table 3. The effect of the k -mer size in LoRMA.

k	Size (%)	Aligned (%)	Error rate (%)	Elapsed time (h)	Memory peak (GB)
19	66.238	99.306	0.256	10.38	17.197
40	66.170	99.309	0.258	10.53	16.958
61	65.941	99.313	0.261	13.87	16.908

LoRMA also builds a DBG of the reads and thus we need to specify k . We investigated the effect of the value of k on the *E. coli* data set. Table 3 shows the effect of k on the performance of LoRMA. Because the DBG is only used to detect similar reads in LoRMA, the performance is not greatly affected by the choice of k . There is a slight decrease in the throughput of the method as k increases as well as a slight increase in runtime but these effects are very modest. For the rest of the experiments we set $k = 19$.

Another parameter of the method is the size of the set of friends of the current read (-friends parameter). We tested also the effect of this parameter on the *E. coli* data set. As the optimal value of this parameter might depend on the coverage of the data set, we created several subsets of this data set with different coverage to investigate this. Table 4 shows the results of these experiments. We can see that the accuracy of the correction increases as the size of the friends set increases. However, for the data set with the lowest coverage, 75x, the coverage of the genome by the corrected reads decreases when the size of the friends set is increased indicating that lower coverage areas are not well corrected. We can also see that increasing the size of the friends set increases the running time of the method. In the interest of keeping the running time reasonable, we decided to set the default value of the parameter at a fairly low value, 7.

4.3 Comparison against previous methods

We compared our new method against PBcR (Koren *et al.*, 2012; Berlin *et al.*, 2015) which is to the best of our knowledge the only previous selfcorrection method for long reads, and LoRDEC (Salmela and Rivals, 2014), proovread (Hackl *et al.*, 2014) and Jabba (Miclotte *et al.*, 2015) which also use short complementary reads. Table 5 shows the results on the simulated data set comparing our new method to PBcR using long reads only. Table 6 shows the results of the comparison of our new method against previous methods on the real data sets. In the following we will use LoRDEC to refer to the hybrid correction method using also short reads and LoRDEC*+LoRMA for our new method in which LoRDEC* is run in long reads selfcorrection mode followed by LoRMA.

PBcR pipeline from Celera Assembler version 8.3rc2 was run without the assembly phase and memory limited to 16 GB. PBcR was run both only using PacBio reads and by utilising also the short read data. For PBcR utilising also short read data, the PacBio reads were divided into three subsets each of which was corrected in its own run. Proovread v2.12 was run with the sequence/fastq files chunked to 20M as per the usage manual and used 16 mapping threads. LoRDEC used an abundance threshold of 3 and k -mer size was set to 19 similar to the experiments by Salmela and Rivals (2014). Jabba 1.1.0 used k -mer size 31 and short output mode. LoRMA was run with 6 threads. The k -mer sizes for LoRDEC*+LoRMA iteration steps were chosen 19, 40 and 61. For proovread and LoRDEC we present results for trimmed and split reads.

Table 5 shows that on the simulated data both PBcR and LoRDEC*+LoRMA are able to correct most of the data. Our new method achieves a lower error rate and higher throughput. We see that the fraction of corrected reads aligning to the correct genomic position is lower for LoRDEC*+LoRMA than for PBcR when all reads are considered, which suggests that LoRDEC*+LoRMA tends to overcorrect some reads.

Table 4. The effect of the size of the friends set on the quality of the correction.

Coverage 75x					
Friends	5	7	10	15	20
Size (%)	59.173	59.164	59.146	59.109	59.085
Aligned (%)	98.894	98.983	99.099	99.192	99.226
Error rate (%)	0.169	0.156	0.148	0.131	0.128
Gen. cov. (%)	90.918	90.907	90.900	90.888	90.884
Elapsed time (h)	1.13	1.22	1.53	1.88	2.27
Memory (GB)	14.522	14.518	14.522	14.515	14.525
Disk (GB)	1.076	1.076	1.076	1.076	1.076

Coverage 100x					
Friends	5	7	10	15	20
Size (%)	65.759	65.738	65.723	65.670	65.607
Aligned (%)	98.091	98.317	98.491	98.556	98.620
Error rate (%)	0.152	0.140	0.134	0.114	0.110
Gen. cov. (%)	99.404	99.403	99.405	99.403	99.405
Elapsed time (h)	2.53	3.32	4.32	5.80	7.08
Memory (GB)	14.720	14.720	14.712	14.723	14.720
Disk (GB)	1.417	1.416	1.417	1.416	1.416

Coverage 175x					
Friends	5	7	10	15	20
Size (%)	66.933	66.906	66.905	66.852	66.816
Aligned (%)	98.927	98.973	99.153	99.011	99.104
Error rate (%)	0.222	0.194	0.191	0.140	0.133
Gen. cov. (%)	100.000	100.000	100.000	100.000	100.000
Elapsed time (h)	6.77	8.35	10.62	14.07	17.22
Memory (GB)	16.009	16.016	16.003	16.002	16.006
Disk (GB)	2.361	2.361	2.362	2.362	2.362

However, for corrected reads longer than 2000 bp this difference disappears and thus we can conclude that the overcorrected reads are short. When compared to the other selfcorrection method, PBcR, our new tool has a higher throughput and produces more accurate results on both real data sets as shown in Table 6. Out of the hybrid methods, Jabba has a lower error rate than LoRDEC*+LoRMA but its throughput is lower. When compared to the other hybrid methods, LoRDEC*+LoRMA has comparable accuracy and throughput. All hybrid methods produce corrected reads that do not cover the whole *E. coli* reference, which could be a result of coverage bias in the Illumina data. On the yeast data proofread produced few corrected reads and thus the coverage of the corrected reads is very low.

Table 6 shows that our method is slower and uses more memory than PBcR in selfcorrection mode but its disk usage is lower. On the *E. coli* data set our new method is faster than proofread and PBcR utilising short read data but slower than LoRDEC, Jabba or PBcR using only PacBio data. On the yeast data set we are faster than PBcR in hybrid mode but slower than the others.

On the *E. coli* and yeast data sets, LoRDEC*+LoRMA uses 45% and 37%, respectively, of its running time on LoRDEC* iterations. On both data sets the error rate of the reads after LoRDEC* iterations and trimming was 0.5%.

4.4 The effect of coverage

Especially for larger genomes it is of interest to know how much coverage is needed for the error correction to succeed. We investigated this by creating random subsets of the *E. coli* data set with coverages 25x, 50x, 100x, and 150x. We then ran our method and PBcR (Koren *et al.*, 2012; Berlin *et al.*, 2015) on these subsets to investigate the effect of coverage on the error correction performance. Table 7 shows the results of these experiments. The other tools, LoRDEC, Jabba and proofread, use also the

complementary Illumina reads and the coverage of PacBio reads does not affect their performance.

When the coverage is high, the new method retains a larger proportion of the reads than PBcR and is more accurate, whereas when the coverage is low, PBcR retains more of the data and a larger proportion of it can be aligned. However, the error rate remains much lower for our new tool. The reads corrected by PBcR also cover a larger part of the reference when the coverage is low.

5 Conclusions

We have presented a new method for correcting long and highly erroneous sequencing reads. Our method shows that efficient alignment free methods can be applied to highly erroneous long read data. The current approach needs alignments to take into account the global context of errors. Reads corrected by the new method have an error rate less than half of the error rate of reads corrected by previous selfcorrection methods. Furthermore, the throughput of the new method is 20% higher than previous selfcorrection methods with read sets having coverage at least 75x.

Recently several algorithms for updating the DBG instead of constructing it from scratch when k changes have been proposed (Boucher *et al.*, 2015; Cazaux *et al.*, 2014). However, these methods are not directly applicable to our method because also the read set changes when we run LoRDEC* iteratively on the long reads.

Our method works solely on the long reads, whereas many previous methods require also short accurate reads produced by e.g. Illumina sequencing, which can incorporate sequencing biases in PacBio reads. This could have very negative effect on sequence quality, especially since Illumina suffers from GC content bias and some context dependent errors (Schirmer *et al.*, 2015; Nakamura *et al.*, 2011).

As further work we plan to improve the method to scale up to mammalian size genomes. We will investigate a more compact representation of the path labels in the augmented DBG to replace the simple hash tables currently used. Construction of multiple alignment could also be improved by exploiting partial order alignments (Lee *et al.*, 2002) which have been shown to work well with PacBio reads (Chin *et al.*, 2013).

Another direction of further work is to investigate the applicability of the new method on long reads produced by the Oxford NanoPore MinION platform. Laver *et al.* (2015) have reported an error rate of 38.2% for this platform and they also observed some GC content bias. Both of these factors make the error correction problem more challenging and therefore it will be interesting to see a comparison of the methods on this data.

Funding

This work was supported by the Academy of Finland (grant 267591 to L.S.), ANR Colib'read (grant ANR-12-BS02-0008), IBC (ANR-11-BINF-0002), and Défi MASTODONS to E.R., and EU FP7 project SYSCOL (grant UE7-SYSCOL-258236 to E.U.).

References

- Au, K. F. *et al.* (2012). Improving PacBio long read accuracy by short read alignment. *PLoS ONE*, **7**(10), e46679.
- Bankevich, A. *et al.* (2012). SPAdes: a new genome assembly algorithm and its applications to single-cell sequencing. *Journal of Computational Biology*, **19**(5), 455–477.
- Berlin, K. *et al.* (2015). Assembling large genomes with single-molecule sequencing and locality-sensitive hashing. *Nat Biotechnol*, **33**, 623–630.

Table 5. Comparison of LoRDEC*+LoRMA against PBcR (PacBio only) on the simulated E. coli data set

Tool	Size (%)	Error rate (%)	Correctly aligned (%)	Correctly aligned ≥ 2000 bp (%)	Elapsed time (h)	Memory peak (GB)	Disk peak (GB)
Original	100.000	13.015	99.997	99.997	-	-	-
PBcR (PacBio only)	92.457	0.604	99.953	99.984	2.63	9.066	17.823
LoRDEC*+LoRMA	94.372	0.109	96.866	99.987	14.30	17.338	3.192

Table 6. Comparison of both hybrid and selfcorrection tools on PacBio data. Results for tools utilising also Illumina data are shown on a grey background.

	Tool	Size (%)	Aligned (%)	Error rate (%)	Genome coverage (%)	Elapsed time (h)	Memory peak (GB)	Disk peak (GB)
E. coli	Original	100.000	71.108	16.9126	100.000	-	-	-
	LoRDEC	65.672	98.944	0.1143	99.820	0.96	0.368	1.570
	proovread	61.590	98.603	0.2789	99.728	28.65	9.522	7.174
	PBcR (with Illumina)	52.103	98.507	0.0682	98.769	15.13	17.429	160.154
	Jabba	2.873	99.945	0.0003	99.745	0.02	0.168	0.606
	PBcR (only PacBio)	51.068	86.023	0.6905	100.000	1.68	22.00	16.070
	LoRDEC*+LoRMA	66.223	99.318	0.2572	100.000	10.40	16.984	2.824
Yeast	Original	100.000	89.929	16.8442	99.974	-	-	-
	LoRDEC	75.522	97.337	0.9987	99.833	3.17	0.451	2.776
	proovread	0.306	97.156	0.8004	20.346	11.18	4.764	7.162
	PBcR (with Illumina)	57.337	98.100	0.3342	99.652	22.05	20.085	157.726
	Jabba	24.979	99.484	0.1279	99.900	0.17	1.031	0.993
	PBcR (only PacBio)	60.065	95.822	2.1018	99.907	4.42	9.571	24.610
	LoRDEC*+LoRMA	71.987	98.088	0.3644	99.375	21.08	17.968	4.852

Boucher, C. *et al.* (2015). Variable-order de Bruijn graphs. In *Proc. DCC 2015*, pages 383–392.

Cazaux, B., Lecroq, T., and Rivals, E. (2014). From indexing data structures to de Bruijn graphs. In *Proc. CPM 2014*, pages 89–99.

Chaisson, M. J. and Tesler, G. (2012). Mapping single molecule sequencing reads using basic local alignment with successive refinement (BLASR): application and theory. *BMC Bioinformatics*, **13**, 238.

Chin, C.-S. *et al.* (2013). Nonhybrid, finished microbial genome assemblies from long-read SMRT sequencing data. *Nature Methods*, **10**, 563–569.

Drezen, E. *et al.* (2014). GATB: genome assembly & analysis tool box. *Bioinformatics*, **30**(20), 2959–2961.

Hackl, T. *et al.* (2014). proovread: large-scale high accuracy PacBio correction through iterative short read consensus. *Bioinformatics*, **30**(21), 3004–3011.

Koren, S. *et al.* (2012). Hybrid error correction and de novo assembly of single-molecule sequencing reads. *Nat Biotechnol*, **30**(7), 693–700.

Koren, S. and Philippy, A. M. (2015). One chromosome, one contig: complete microbial genomes from long-read sequencing and assembly. *Current Opinion in Microbiology*, **23**, 110–120.

Laehnemann, D., Borkhardt, A., and McHardy, A. C. (2016). Denoising DNA deep sequencing data – high-throughput sequencing errors and their correction. *Briefings in Bioinformatics*, **17**(1), 154–179.

Laver, T. *et al.* (2015). Assessing the performance of the Oxford Nanopore Technologies MinION. *Biomolecular Detection and Quantification*, **3**,

1–8.

Lee, C., Grasso, C., and Sharlow, M. F. (2002). Multiple sequence alignment using partial order graphs. *Bioinformatics*, **18**(3), 452–464.

Madoui, M.-A. *et al.* (2015). Genome assembly using Nanopore-guided long and error-free DNA reads. *BMC Genomics*, **16**, 327.

Miclotte, G. *et al.* (2015). Jabba: Hybrid error correction for long sequencing reads using maximal exact matches. In *Proc. WABI 2015*, volume 9289 of *LNBI*, pages 175–188. Springer.

Nakamura, K. *et al.* (2011). Sequence-specific error profile of Illumina sequencers. *Nucleic Acids Research*, **39**(13), e90.

Ono, Y., Asai, K., and Hamada, M. (2013). PBSIM: PacBio reads simulator – toward accurate genome assembly. *Bioinformatics*, **29**(1), 119–121.

Peng, Y. *et al.* (2010). IDBA – a practical iterative de Bruijn graph de novo assembler. In *Proc. RECOMB 2010*, volume 6044 of *LNBI*, pages 426–440. Springer.

Salmela, L. and Rivals, E. (2014). LoRDEC: accurate and efficient long read error correction. *Bioinformatics*, **30**(24), 3506–3514.

Salmela, L. and Schröder, J. (2011). Correcting errors in short reads by multiple alignments. *Bioinformatics*, **27**(11), 1455–1461.

Schirmer, M. *et al.* (2015). Insight into biases and sequencing errors for amplicon sequencing with the Illumina MiSeq platform. *Nucleic Acids Research*, **43**(6), e37.

Yang, X. *et al.* (2013). A survey of error-correction methods for next-generation sequencing. *Briefings in Bioinformatics*, **14**(1), 56–66.

Table 7. The effect of coverage of the PacBio read set on the quality of the correction.

Coverage	LoRDEC*+LoRMA					PBcR				
	25x	50x	100x	150x	208x	25x	50x	100x	150x	208x
Size (%)	3.105	30.348	65.739	67.198	66.223	31.132	44.190	48.391	50.284	51.068
Aligned (%)	99.400	99.663	98.328	98.748	99.318	99.941	99.794	95.966	90.003	86.023
Error rate (%)	0.329	0.187	0.140	0.159	0.257	2.224	1.396	0.874	0.757	0.6905
Gen. cov. (%)	3.886	45.763	99.403	99.999	100.000	94.638	100.000	100.000	100.000	100.000
Time (h)	0.10	0.32	3.30	7.17	10.40	0.08	0.18	0.47	0.93	1.68
Memory (GB)	14.165	14.275	14.718	15.415	16.984	7.851	9.020	9.706	9.931	22.00
Disk (GB)	0.272	0.655	1.416	2.024	2.824	1.232	2.443	3.714	7.114	16.070